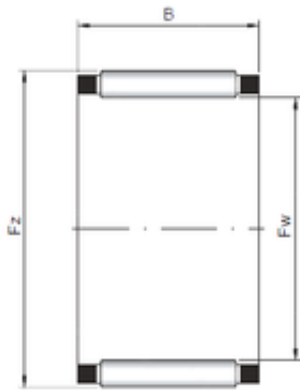




Bearing Power Machinery Co., Ltd.

ISO K15x19x17 needle roller bearings



Bearing No. K15x19x17

Size	15x19x17 mm
Bore Diameter	15 mm
Outer Diameter	19 mm
Width	17 mm
Fw	15 mm
Ew	19 mm
B	17 mm

K15x19x17 Bearing 2D drawings and 3D CAD models