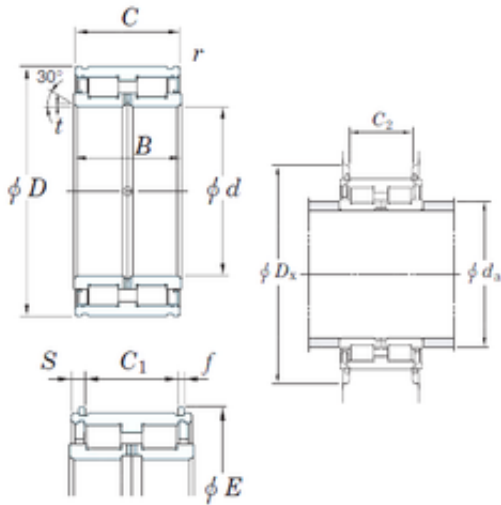




Bearing Power Machinery Co., Ltd.

KOYO DC5044NR cylindrical roller bearings

Bearing No. DC5044NR



DC5044NR Bearing 2D drawings and 3D CAD models

Size	220x340x160 mm
Bore Diameter	220 mm
Outer Diameter	340 mm
Width	160 mm
d	220 mm
D	340 mm
B	160 mm
C	159 mm
t	2,5 mm
f	6 mm
r min.	1,1 mm
C1	130 mm
E	356 mm
S	14,5 mm
Ca	130 mm
da min.	266,5 mm
Da min	380 mm
Weight	53,5 Kg
Basic dynamic load rating (C)	1 620 kN
Bearing No.	DC5044NR
r(min)	1.1
Cr	1620
C0r	3590
da(min)	266.5
Dx(min)	380
C2	130



Bearing Power Machinery Co., Ltd.

(Refer.) Mass(kg)	53.5
-------------------	------