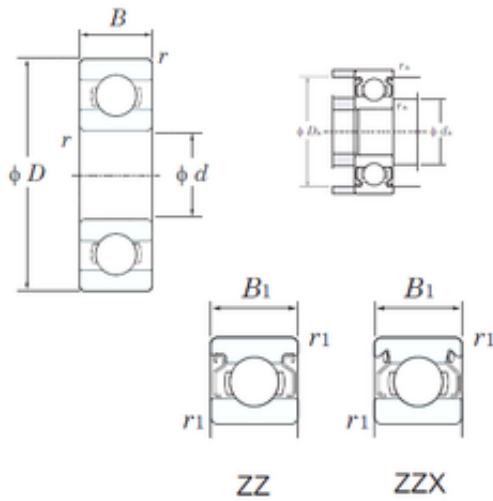




Bearing Power Machinery Co., Ltd.



KOYO 629ZZ deep groove ball bearings

Bearing No. 629ZZ

Size	9x26x8 mm
Bore Diameter	9 mm
Outer Diameter	26 mm
Width	8 mm
d	9 mm
D	26 mm
B	8 mm
C	8 mm
r min.	0,6 mm
r1 min.	0,6 mm
da min.	12,1 mm
Da max.	22 mm
ra max.	0,3 mm
Weight	0,02 Kg
Basic dynamic load rating (C)	4,55 kN
Basic static load rating (C0)	1,95 kN
(Grease) Lubrication Speed	27000 r/min
Category	Single Row Ball Bearings
Inventory	0.0
Manufacturer Name	KOYO
Minimum Buy Quantity	N/A
Weight / Kilogram	0
Product Group	B00308
Enclosure	2 Metal Shields
Precision Class	ABEC 1 ISO P0
Maximum Capacity / Filling	No

629ZZ Bearing 2D drawings and 3D CAD models



Bearing Power Machinery Co., Ltd.

Slot	
Rolling Element	Ball Bearing
Snap Ring	No
Internal Special Features	No
Cage Material	Steel
Internal Clearance	C0-Medium
Inch - Metric	Metric
Long Description	9MM Bore; 26MM Outside Diameter; 8MM Outer Race Width; 2 Metal Shields; Ball Bearing; ABEC 1 ISO P0; No Filling Slot; No Snap Ring; No Internal Special Features; C0-Medium Internal Clearance; Steel
Other Features	Deep Groove
Category	Single Row Ball Bearing
UNSPSC	31171504
Harmonized Tariff Code	8482.10.50.68
Noun	Bearing
Keyword String	Ball
Manufacturer URL	http://www.koyousa.com
Weight / LBS	0.0441
Outside Diameter	1.024 Inch 26 Millimeter
Outer Race Width	0.315 Inch 8 Millimeter
Bore	0.354 Inch 9 Millimeter
Inner Race Width	0 Inch 0 Millimeter