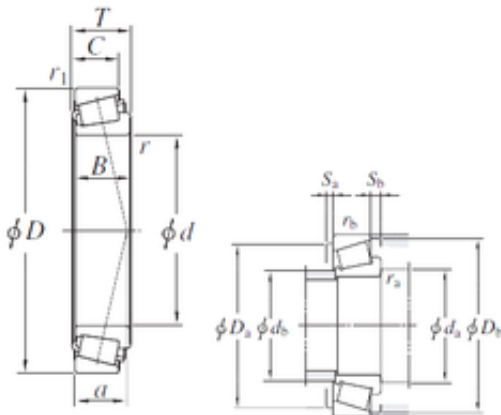




# Bearing Power Machinery Co., Ltd.

## KOYO EE333137/333197 tapered roller bearings

Bearing No. EE333137/333197



EE333137/333197 Bearing 2D drawings and 3D CAD models

Size	349.25x501.65x90.488 mm
Bore Diameter	349,25 mm
Outer Diameter	501,65 mm
Width	90,488 mm
d	349,25 mm
D	501,65 mm
T	90,488 mm
B	84,138 mm
C	69,85 mm
a	95,2 mm
r min.	6,4 mm
r1 min.	3,2 mm
da min.	370 mm
Da min	465 mm
Da max.	488 mm
db max.	391 mm
ra max.	6,4 mm
rb max.	3,2 mm
Db	482 mm
Weight	53 Kg
Basic dynamic load rating (C)	1280 kN
Basic static load rating (C0)	2550 kN
Calculation factor (e)	0,37
Calculation factor (Y0)	0,88