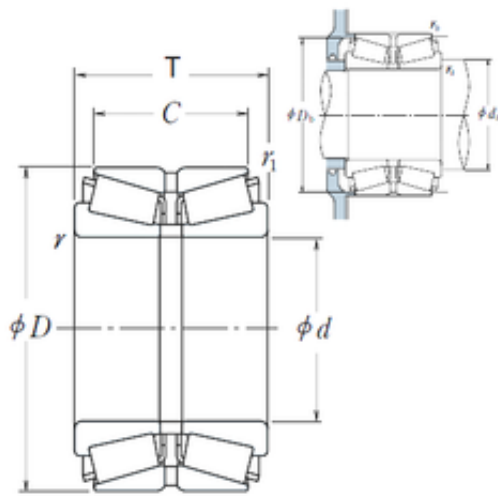




## Bearing Power Machinery Co., Ltd.



### NSK HR120KBE42X+L tapered roller bearings

Bearing No. HR120KBE42X+L

Size	120x215x97 mm
Bore Diameter	120 mm
Outer Diameter	215 mm
Width	97 mm
d	120 mm
D	215 mm
T	97 mm
C	78 mm
r min.	3 mm
r1 min.	1 mm
da min.	138 mm
Db min.	204 mm
ra max.	2,5 mm
rb max.	1 mm
Weight	13,7 Kg
Basic dynamic load rating (C)	575 kN
Basic static load rating (C0)	900 kN
(Grease) Lubrication Speed	1300 r/min
(Oil) Lubrication Speed	1800 r/min
Calculation factor (e)	0,44
Calculation factor (Y0)	1,5
Calculation factor (Y2)	2,3

HR120KBE42X+L Bearing 2D drawings and 3D CAD models