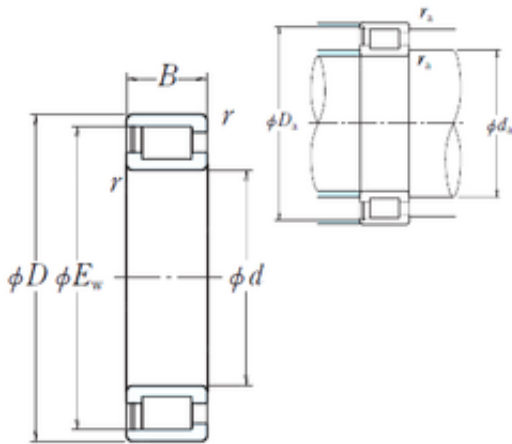




# Bearing Power Machinery Co., Ltd.

## NSK NCF1884V cylindrical roller bearings



Bearing No. NCF1884V

Size	420x491x46 mm
Bore Diameter	420 mm
Outer Diameter	491 mm
Width	46 mm
d	420 mm
D	520 mm
Ew	491 mm
B	46 mm
C	46 mm
r min.	2,1 mm
Da	498 mm
ra max.	2 mm
da	440 mm
Weight	20,5 Kg
Basic dynamic load rating (C)	600 kN

NCF1884V Bearing 2D drawings and 3D CAD models