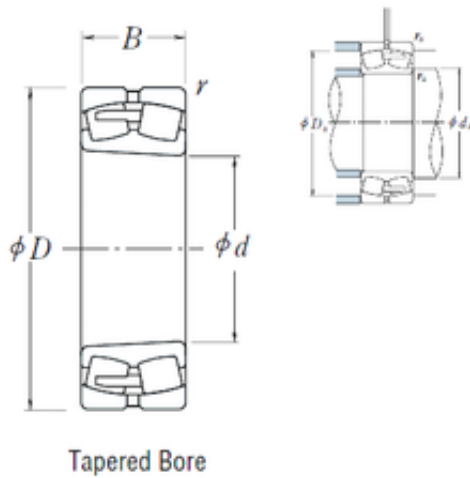




Bearing Power Machinery Co., Ltd.



NSK 23080CAKE4 spherical roller bearings

Bearing No. 23080CAKE4

Size	400x600x148 mm
Bore Diameter	400 mm
Outer Diameter	600 mm
Width	148 mm
d	400 mm
D	600 mm
B	148 mm
C	148 mm
r min.	5 mm
da min.	422 mm
Da min	540 mm
Da max.	578 mm
ra max.	4 mm
Weight	146 Kg
Basic dynamic load rating (C)	2970 kN
Basic static load rating (C0)	5900 kN
(Grease) Lubrication Speed	480 r/min
(Oil) Lubrication Speed	600 r/min
Calculation factor (e)	0,23
Calculation factor (Y0)	2,9
Calculation factor (Y2)	4,4

23080CAKE4 Bearing 2D drawings and 3D CAD models