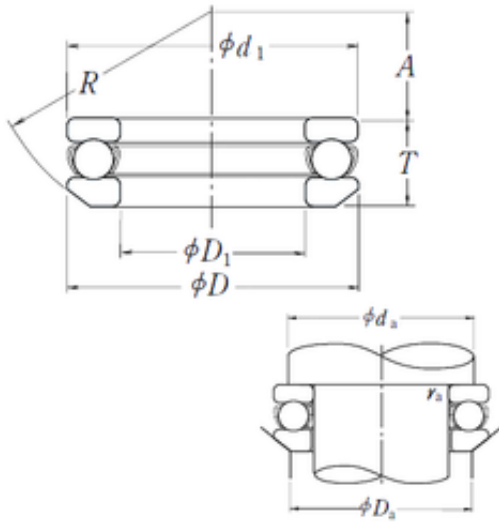




## Bearing Power Machinery Co., Ltd.



### NSK 53210 thrust ball bearings

Bearing No. 53210

Size	50x78x23.5 mm
Bore Diameter	50 mm
Outer Diameter	78 mm
Width	23,5 mm
d	50 mm
D	78 mm
T	23,5 mm
d1	78 mm
r min.	1 mm
A	32,5 mm
D1	52 mm
R	64 mm
da min.	67 mm
Da max.	61 mm
ra max.	1 mm
Weight	0,404 Kg
Basic dynamic load rating (C)	49 kN
Basic static load rating (C0)	111 kN
(Grease) Lubrication Speed	2400 r/min
Category	Thrust Ball Bearing
Inventory	0.0
Manufacturer Name	NSK
Minimum Buy Quantity	N/A
Weight / Kilogram	0.47
EAN	0029176088186
Product Group	B00308

53210 Bearing 2D drawings and 3D CAD models



## Bearing Power Machinery Co., Ltd.

Rolling Element	Ball Bearing
Thrust Bearing	Yes
Single or Double Direction	Single Direction
Banded	No
Cage Material	Steel
Precision Class	Non-Precision
Component Description	Roller Assembly Plus Raceways
Other Features	Single Row   With Aligning Seat
Long Description	50MM Bore 1; 52MM Bore 2; 78MM Outside Diameter; 24MM Height; Ball Bearing; Single Direction; Not Banded; Steel Cage; Non-Precision
Inch - Metric	Metric
Category	Thrust Ball Bearings
UNSPSC	31171552
Harmonized Tariff Code	8482.10.50.08
Noun	Bearing
Keyword String	Ball Thrust
Manufacturer URL	<a href="http://www.nskamericas.com">http://www.nskamericas.com</a>
Manufacturer Item Number	53210
Weight / LBS	0.89067
Overall Height with Aligning Washer	0 Inch   0 Millimeter
Outside Diameter	3.071 Inch   78 Millimeter
Height	0.945 Inch   24 Millimeter
Bore 2	2.047 Inch   52 Millimeter
Bore 1	1.969 Inch   50 Millimeter
bore diameter:	50 mm
precision rating:	Not Rated
outside diameter:	78 mm



## Bearing Power Machinery Co., Ltd.

static load capacity:	11400 kg
overall width:	23.5 mm
dynamic load capacity:	5000 kg
thrust bearing type:	Single-Direction
maximum rpm:	3600 RPM
outside diameter design:	Sphered
cage material:	Steel
separable or banded:	Separable
fillet radius:	1 mm
race type:	Grooved
series:	532
SRI	5.6
hidYobi	53210
LangID	1
D_	78
SREX	0.05
C	49
B_	23.5
hidTable	ecat_NSSDTB
Oil rpm	3600
SRE	5.6
mass	0.404
GRS rpm	2400
ra	1
SRIX	0.05
D_a	61
SRIN	0
C0	111
SREN	0
D_1	52
Prod_Type3	TB_SD_WAS
da	67



## Bearing Power Machinery Co., Ltd.

DA_	10.319
Z_	17
yobi	53210
A_	32.5
T3	23.5
SDM_	64
r	1
KBRG	5121
R_	64