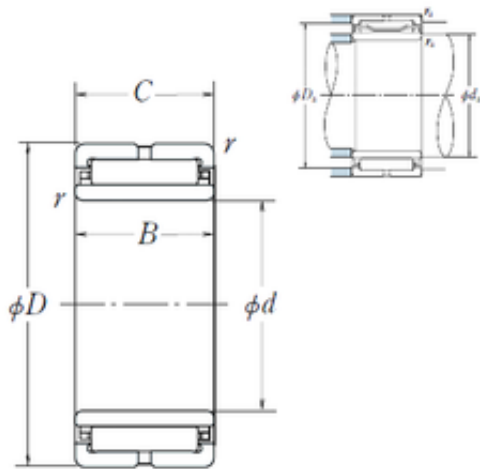




Bearing Power Machinery Co., Ltd.

NSK NA4906 needle roller bearings



Bearing No. NA4906

Size	30x47x17 mm
Bore Diameter	30 mm
Outer Diameter	47 mm
Width	17 mm
d	30 mm
Fw	35 mm
D	47 mm
B	17 mm
C	17 mm
r min.	0,3 mm
da min.	32 mm
Da max.	45 mm
ra max.	0,3 mm
Weight	0,105 Kg
Basic dynamic load rating (C)	23,9 kN
Basic static load rating (C0)	32,5 kN
(Grease) Lubrication Speed	7500 r/min
hidYobi	NA4906
LangID	1
D_	47
B_	17
hidTable	ecat_NSMRNR
GRS rpm	7500
ra	0.3
da_min	32
d2	30

NA4906 Bearing 2D drawings and 3D CAD models



Bearing Power Machinery Co., Ltd.

C0	32.5
C1_	17
DE_	43
SLR	11.8
Prod_Type3	NRB_S_NA
DA_	4
Z_	19
SI	35
yobi	NA4906
da_max	45
OIL rpm	12000
SDM_	39
r	0.3
KBRG	8353
mass2	0.105
B1	17