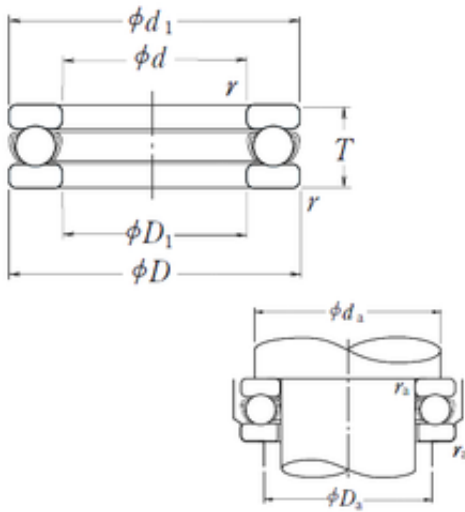




Bearing Power Machinery Co., Ltd.



51115 Bearing 2D drawings and 3D CAD models

NSK 51115 thrust ball bearings

Bearing No. 51115

Size	75x100x19 mm
Bore Diameter	75 mm
Outer Diameter	100 mm
Width	19 mm
d	75 mm
D	100 mm
T	19 mm
d1	100 mm
r min.	1 mm
D1	77 mm
da min.	90 mm
Da max.	85 mm
ra max.	1 mm
Weight	0,389 Kg
Basic dynamic load rating (C)	43,5 kN
Basic static load rating (C0)	131 kN
(Grease) Lubrication Speed	2200 r/min
Category	Thrust Ball Bearing
Inventory	0.0
Manufacturer Name	NSK
Minimum Buy Quantity	N/A
Weight / Kilogram	0.39
EAN	0029176026461
Product Group	B00308
Rolling Element	Ball Bearing
Thrust Bearing	Yes



Bearing Power Machinery Co., Ltd.

Single or Double Direction	Single Direction
Banded	No
Cage Material	Steel
Precision Class	Non-Precision
Component Description	Roller Assembly Plus Raceways
Other Features	Single Row With Flat Seat
Long Description	75MM Bore 1; 77MM Bore 2; 100MM Outside Diameter; 19MM Height; Ball Bearing; Single Direction; Not Banded; Steel Cage; Non-Precision
Inch - Metric	Metric
Category	Thrust Ball Bearings
UNSPSC	31171552
Harmonized Tariff Code	8482.10.50.08
Noun	Bearing
Keyword String	Ball Thrust
Manufacturer URL	http://www.nskamericas.com
Manufacturer Item Number	51115
Weight / LBS	0.8576
Overall Height with Aligning Washer	0 Inch 0 Millimeter
Outside Diameter	3.937 Inch 100 Millimeter
Bore 1	2.953 Inch 75 Millimeter
Bore 2	3.031 Inch 77 Millimeter
Height	0.748 Inch 19 Millimeter
bore diameter:	75 mm
static load capacity:	13400 kg
outside diameter:	100 mm
dynamic load capacity:	4450 kg
overall width:	19 mm



Bearing Power Machinery Co., Ltd.

operating temperature range:	Maximum of +120 ° C
thrust bearing type:	Single-Direction
maximum rpm:	3400 RPM
outside diameter design:	Straight
cage material:	Steel
separable or banded:	Separable
fillet radius:	1 mm
race type:	Flat
series:	511
precision rating:	ABEC 1 (ISO Class Normal)
SRI	4.7
hidYobi	51115
LangID	1
D_	100
SREX	0.04
C	43.5
B_	19
hidTable	ecat_NSSDTB
Oil rpm	3400
SRE	4.7
mass	0.389
GRS rpm	2200
ra	1
SRIX	0.04
D_a	85
SRIN	0
C0	131
SREN	0
D_1	77
Prod_Type3	TB_SD_WFS
da	90



Bearing Power Machinery Co., Ltd.

DA_	8.731
Z_	28
yobi	51115
SDM_	87.5
r	1
T_	19
KBRG	5111