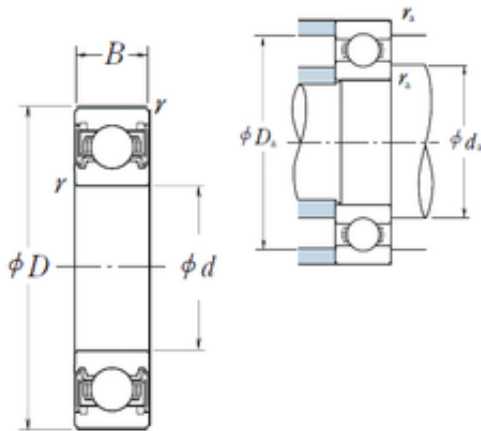




Bearing Power Machinery Co., Ltd.



NSK 6214VV deep groove ball bearings

Bearing No. 6214VV

Size	70x125x24 mm
Bore Diameter	70 mm
Outer Diameter	125 mm
Width	24 mm
d	70 mm
D	125 mm
B	24 mm
C	24 mm
r min.	1,5 mm
da min.	78 mm
da max	84 mm
Da max.	117 mm
ra max.	1,5 mm
Weight	1,09 Kg
Basic dynamic load rating (C)	62 kN
Basic static load rating (C0)	44 kN
(Grease) Lubrication Speed	5 000 r/min
Category	Single Row Ball Bearings
Inventory	0.0
Manufacturer Name	NSK
Minimum Buy Quantity	N/A
Weight / Kilogram	1.15
EAN	0029176015397
Product Group	B00308
Enclosure	2 Seals
Precision Class	ABEC 1 ISO P0

6214VV Bearing 2D drawings and 3D CAD models



Bearing Power Machinery Co., Ltd.

Maximum Capacity / Filling Slot	No
Rolling Element	Ball Bearing
Snap Ring	No
Internal Special Features	No
Cage Material	Steel
Enclosure Type	Non-Contact Seal
Internal Clearance	C0-Medium
Inch - Metric	Metric
Long Description	70MM Bore; 125MM Outside Diameter; 24MM Outer Race Diameter; 2 Seals; Ball Bearing; ABEC 1 ISO P0; No Filling Slot; No Snap Ring; No Internal Special Features
Category	Single Row Ball Bearing
UNSPSC	31171504
Harmonized Tariff Code	8482.10.50.68
Noun	Bearing
Keyword String	Ball
Manufacturer URL	http://www.nskamericas.com
Manufacturer Item Number	6214VV
Weight / LBS	1.071
Outer Race Width	0.945 Inch 24 Millimeter
Bore	2.756 Inch 70 Millimeter
Outside Diameter	4.921 Inch 125 Millimeter
SRI	9.04
hidYobi	6214VV
LangID	1
D_	125
SREX	0.03
B_	24



Bearing Power Machinery Co., Ltd.

da min	78
hidTable	ecat_NS RDGB
SRE	9.04
mass	1.09
GRS rpm	5000
ra	1.5
SRIX	0.03
D_a	117
SRIN	-0.03
C0	44
fo	14.5
SREN	-0.03
DE_	114.962
Prod_Type3	DGBB_SR_VV
DA_	17.462
bomp	0
Z_	10
yobi	6214VV
C_conv	62000
ALPHA_	0
SDM_	97.5
r	1.5
KBRG	6151
SBRG	2
DI_	80.038