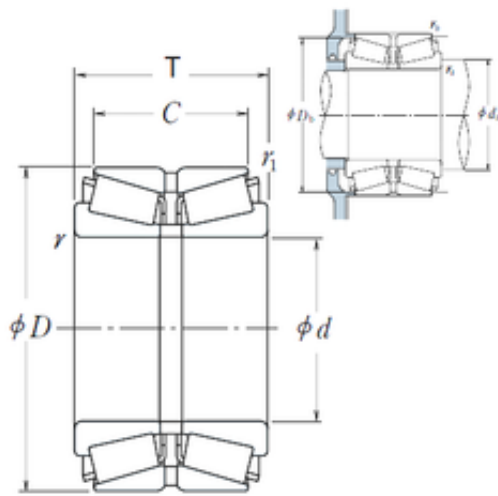




Bearing Power Machinery Co., Ltd.



NSK HR180KBE52X+L tapered roller bearings

Bearing No. HR180KBE52X+L

Size	180x320x192 mm
Bore Diameter	180 mm
Outer Diameter	320 mm
Width	192 mm
d	180 mm
D	320 mm
T	192 mm
C	152 mm
r min.	5 mm
r1 min.	1,5 mm
da min.	207 mm
Db min.	308 mm
ra max.	4 mm
rb max.	1,5 mm
Weight	59,2 Kg
Basic dynamic load rating (C)	1640 kN
Basic static load rating (C0)	3050 kN
(Grease) Lubrication Speed	900 r/min
(Oil) Lubrication Speed	1200 r/min
Calculation factor (e)	0,45
Calculation factor (Y0)	1,5
Calculation factor (Y2)	2,2

HR180KBE52X+L Bearing 2D drawings and 3D CAD models