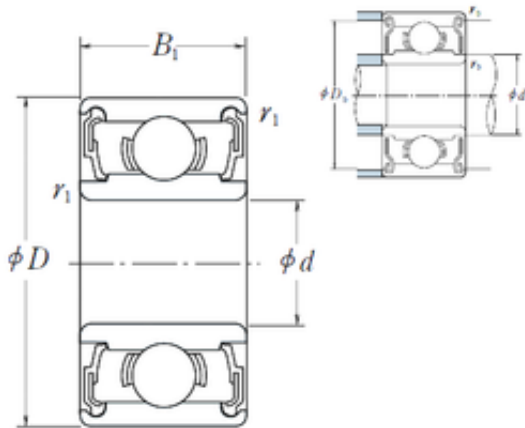




Bearing Power Machinery Co., Ltd.



635 DD Bearing 2D drawings and 3D CAD models

NSK 635 DD deep groove ball bearings

Bearing No. 635 DD

Size	5x19x6 mm
Bore Diameter	5 mm
Outer Diameter	19 mm
Width	6 mm
d	5 mm
D	19 mm
B	6 mm
C	6 mm
r min.	0,3 mm
db max.	8,5 mm
Db min.	16,5 mm
rb max.	0,3 mm
Weight	0,00834 Kg
Basic dynamic load rating (C)	2,34 kN
Basic static load rating (C0)	0,885 kN