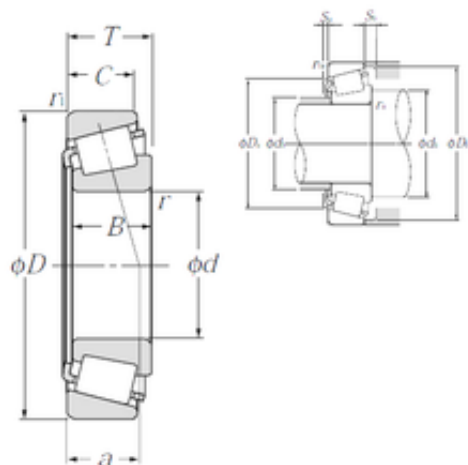




# Bearing Power Machinery Co., Ltd.



## NTN 31322XU tapered roller bearings

Bearing No. 31322XU

Size	110x240x63 mm
Bore Diameter	110 mm
Outer Diameter	240 mm
Width	63 mm
d	110 mm
D	240 mm
T	63 mm
B	57 mm
C	38 mm
ra1 max.	2,5 mm
a	76 mm
r min.	4 mm
r1 min.	3 mm
da min.	128 mm
Da min	188 mm
Da max.	226 mm
db max.	135 mm
Db min.	224 mm
ra max.	3 mm
Sa	7 mm
Sb	25 mm
Weight	11,9 Kg
Basic dynamic load rating (C)	430 kN
Basic static load rating (C0)	535 kN
(Grease) Lubrication Speed	1 600 r/min
(Oil) Lubrication Speed	2 200 r/min

31322XU Bearing 2D drawings and 3D CAD models



## Bearing Power Machinery Co., Ltd.

Calculation factor (e)	0,83
Calculation factor (Y0)	0,4